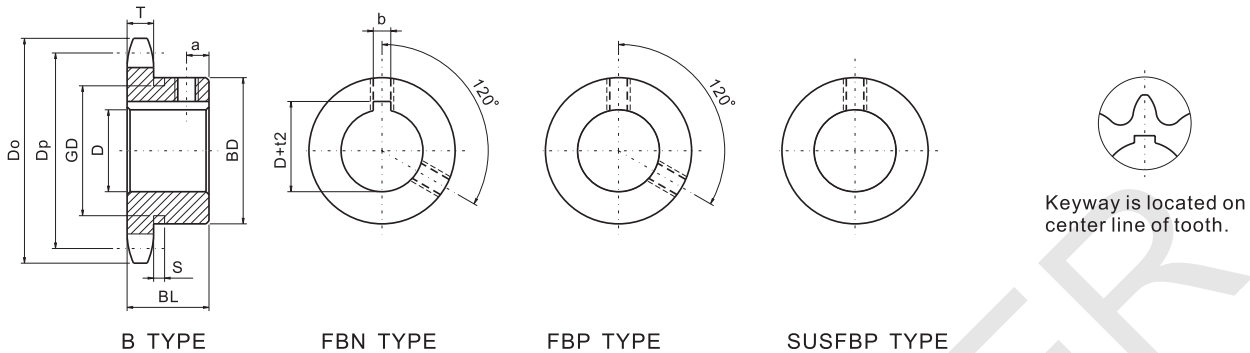


Finished Bore Sprockets Asian Standard Series

SUSFBP11B



SUSFBP11B

Do	Dp	BD	BL	a	Wt g	Form	Type	Teeth	∅D
16.2	14.475	9.4	10.5	4	5.9	B- I	SUSFBP 11B	12	5
19.9	18.020	13	10.5	4	11.5			15	5 6
21.1	19.204	14	10.5	4	13.5			16	5 6 8
23.5	21.575	16	10.5	4	17.7			18	5 6 8
25.9	23.949	19	10.5	4	23.3			20	8 10
30.7	28.703	19	10.5	4	25.7			24	8 10
35.5	33.462	19	10.5	4	28.7			28	8 10
37.9	35.842	19	10.5	4	29.7			30	8 10
42.7	40.604	19	10.5	4	37.9			34	8 10
45.1	42.986	19	10.5	4	40.7			36	8 10
49.8	47.751	19	10.5	4	46.5			40	8 10
59.4	57.283	19	10.5	4	60.5			48	8 10

SPROCKETS
Tooth Width (T) 1.6mm

CHAIN
Pitch (P) 3.7465mm
Internal width (W) 1.83mm
RollerΦ (Dr) 2.285mm

Material: SUS304

FBP15B/FBN15B

Do	Dp	BD	BL	a	Wt g	Type	Teeth	∅D
19.0	16.90	11	10	4	9	FBP 15B	11	5
20.5	18.40	12	10	4	10		12	5 6
22.0	19.90	14	10	4	14		13	5 6 8
23.5	21.40	15	12	5	17		14	8
25.0	22.91	17	12	5	22		15	8
26.5	24.41	18	12	5	23		16	10
28.0	25.92	20	14	6	32		17	10
29.5	27.43	22	14	6	40		18	10
32.5	30.44	24	14	6	49		20	10
39.0	36.49	30	16	7	88		24	10 12 15
42.0	39.51	33	16	7	104	FBN 15B	26	12 15 16
45.0	42.54	37	16	7	131		28	12 15 16
48.0	45.56	39	16	7	147		30	12 15 16
52.5	50.10	40	18	8	178		33	12 15 16
55.5	53.13	40	18	8	182		35	12 15 16

SPROCKETS
Tooth Width (T) 2.0mm

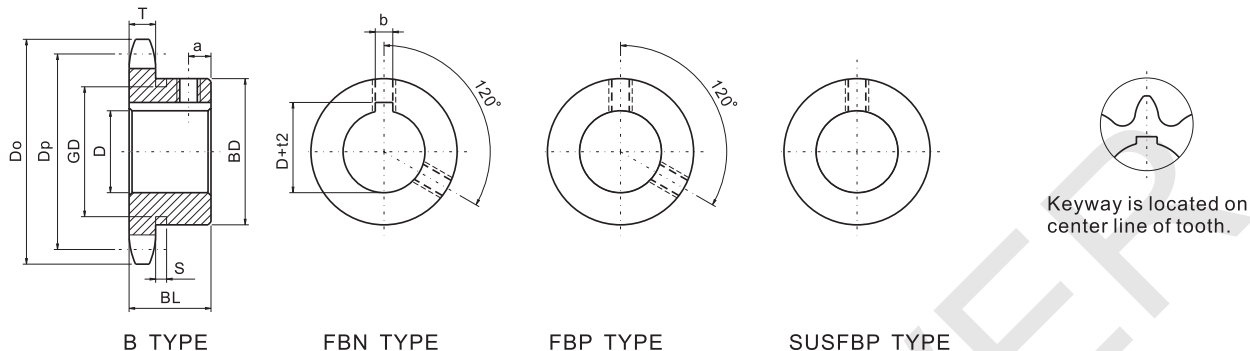
CHAIN
Pitch (P) 4.7625mm
Internal width (W) 2.38mm
RollerΦ (Dr) 2.48mm

Material: C45

Power Transmission Professional

Finished Bore Sprockets Asian Standard Series

FBN25B



□ FBN25B

SPROCKETS

Tooth Width (T) 2.8mm

CHAIN

Pitch (P) 6.35mm
Internal width (W) 3.18mm
RollerΦ (Dr) 3.3mm

Power Transmission Professional

Material: C45

Do	Dp	BD	BL	a	Wt g	Type	Teeth	ø D ^{H7}
36	32.55	25	15	6	60	FBN 25B	16	10 12
38	34.56	25	15	6	70		17	10 12
40	36.57	25	15	6	70		18	10 12
42	38.58	28	15	6	80		19	10 12
44	40.59	28	15	6	80		20	10 12
46	42.61	28	15	6	90		21	10 12
48	44.62	30	15	6	100		22	12 15
50	46.63	30	15	6	110		23	12 15
52	48.65	30	15	6	120		24	12 15
54	50.66	35	15	6	140		25	12 15 16
56	52.68	35	15	6	140		26	12 15 16
58	54.70	35	15	6	150		27	12 15 16
60	56.71	35	15	6	150		28	12 15 16
64	60.75	35	15	6	160		30	12 15 16
68	64.78	40	20	8	200		32	15 16 18 20
72	68.82	40	20	8	210		34	15 16 18 20
74	70.84	40	20	8	210		35	15 16 18 20
76	72.86	40	20	8	220		36	15 16 18 20
80	76.90	40	20	8	260		38	15 16 18 20
84	80.93	40	20	8	270		40	15 16 18 20

Finished Bore Sprockets Asian Standard Series

FBN35B

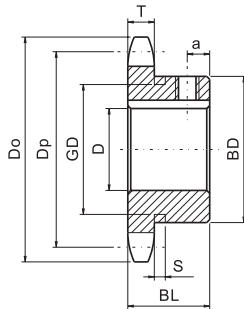
FBN35B

SPROCKETS

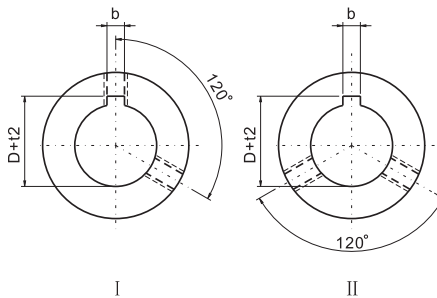
Tooth Width (T) 4.3mm

CHAIN

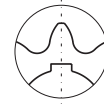
Pitch (P) 9.525mm
Internal width (W) 4.78mm
Roller Φ (Dr) 5.08mm



B TYPE



FBN TYPE



Keyway is located on center line of tooth.

Teeth	S	GD
9	4.4	17
10		20
11		23
12		26
13		29

Material: C45; Hardened Teeth

Do	Dp	BD	BL	a	Wt kg	Type	Teeth	ΦD^{H7}
32	27.85	★21.5	20	6	0.06	FBN 35B	9	10
34	30.82	★24.5	20	6	0.08		10	10 12
38	33.81	★27	20	6	0.09		11	10 12 14
41	36.80	★30.5	20	6	0.12		12	10 12 14 15 16 17
44	39.80	★32	20	6	0.12		13	10 12 14 15 16 17 18
47	42.81	32	20	6	0.12		14	10 12 14 15 16 17 18 19 20
51	45.81	35	20	6	0.16		15	10 12 14 15 16 17 18 19 20 22 24 25
54	48.82	37	20	6	0.19		16	12 14 15 16 17 18 19 20 22 24 25
57	51.84	41	20	6	0.22		17	12 14 15 16 17 18 19 20 22 24 25 28
60	54.85	44	20	6	0.25		18	12 14 15 16 17 18 19 20 22 24 25 28 30
63	57.87	47	20	6	0.28		19	12 14 15 16 17 18 19 20 22 24 25 28 30 32
66	60.89	50	20	6	0.32		20	12 14 15 16 17 18 19 20 22 24 25 28 30 32
69	63.91	53	20	6	0.36		21	12 14 15 16 17 18 19 20 22 24 25 28 30 32
72	66.93	56	20	6	0.37		22	12 14 15 16 17 18 19 20 22 24 25 28 30 32
75	69.95	60	20	6	0.38		23	12 14 15 16 17 18 19 20 22 24 25 28 30 32
78	72.97	53	22	8	0.43		24	12 14 15 16 17 18 19 20 22 24 25 28 30 32
81	76.00	53	22	8	0.44		25	15 16 17 18 19 20 22 24 25 28 30 32
84	79.02	53	22	8	0.45		26	15 16 17 18 19 20 22 24 25 28 30 32
87	82.05	53	22	8	0.46		27	15 16 17 18 19 20 22 24 25 28 30 32
90	85.07	53	22	8	0.48		28	15 16 17 18 19 20 22 24 25 28 30 32
93	88.10	53	22	8	0.49		29	
96	91.12	53	22	8	0.51		30	15 16 17 18 19 20 22 24 25 28 30 32
99	94.15	53	22	8	0.53		31	
102	97.18	53	22	8	0.54		32	15 16 17 18 19 20 22 24 25 28 30 32
105	100.20	53	22	8	0.56		33	
109	103.23	53	22	8	0.57		34	15 16 17 18 19 20 22 24 25 28 30 32
112	106.26	53	22	8	0.59		35	15 16 17 18 19 20 22 24 25 28 30 32
115	109.29	53	22	8	0.61		36	15 16 17 18 19 20 22 24 25 28 30 32
118	112.31	63	25	10	0.80		37	
121	115.34	63	25	10	0.82		38	20 22 24 25 28 30 32 35 38
124	118.37	63	25	10	0.84		39	
127	121.40	63	25	10	0.85		40	20 22 24 25 28 30 32 35 38

★ Has recessed groove in hub for chain clearance

Set Screw TYPE II

Power Transmission Professional

Finished Bore Sprockets Asian Standard Series

FBK35B

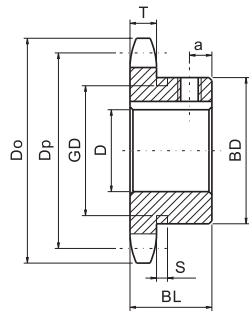
FBK35B

SPROCKETS

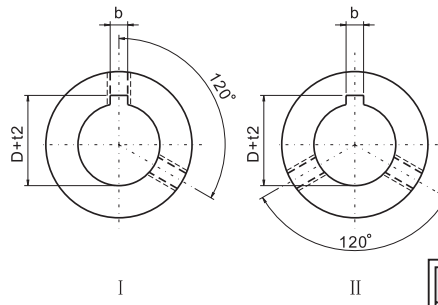
Tooth Width (T) 4.3mm

CHAIN

Pitch (P) 9.525mm
Internal width (W) 4.78mm
Roller Φ (Dr) 5.08mm



B TYPE



FBK TYPE



Keyway is located on center line of tooth.

Teeth	S	GD
9	4.4	17
10		20
11		23
12		26
13		29
14		32

Material: C45; Hardened Teeth

Do	Dp	BD	BL	a	Wt kg	Type	Teeth	ϕD^{H7}
32	27.85	★21.5	20	6	0.06	FBK 35B	9	
34	30.82	★24.5	20	6	0.08		10	10 12
38	33.81	★27	20	6	0.09		11	10 14
41	36.80	★30.5	20	6	0.12		12	10 12 14 15 17
44	39.80	★32	20	6	0.12		13	10 12 15 17
47	42.81	32	20	6	0.12		14	12 14 15 17 20
51	45.81	35	20	6	0.16		15	12 14 15 16 17 18 19 20
54	48.82	37	20	6	0.19		16	12 14 15 17 18 20 22 25
57	51.84	41	20	6	0.22		17	12 15 17 20 22 25
60	54.85	44	20	6	0.25		18	12 14 15 20 25
63	57.87	47	20	6	0.28		19	15 20 25
66	60.89	50	20	6	0.32		20	12 15 16 17 18 20 22 25 28 30
69	63.91	53	20	6	0.36		21	12 14 15 20 25
72	66.93	56	20	6	0.37		22	15 20 22 25
75	69.95	60	20	6	0.38		23	15 20
78	72.97	53	22	8	0.43		24	12 15 17 20 25 30
81	76.00	53	22	8	0.44		25	17 20
84	79.02	53	22	8	0.45		26	20 22 25
87	82.05	53	22	8	0.46		27	
90	85.07	53	22	8	0.48		28	
93	88.10	53	22	8	0.49		29	
96	91.12	53	22	8	0.51		30	20 25
99	94.15	53	22	8	0.53		31	
102	97.18	53	22	8	0.54		32	17
105	100.20	53	22	8	0.56		33	
109	103.23	53	22	8	0.57		34	
112	106.26	53	22	8	0.59		35	20 25
115	109.29	53	22	8	0.61		36	20
118	112.31	63	25	10	0.80		37	
121	115.34	63	25	10	0.82		38	
124	118.37	63	25	10	0.84		39	
127	121.40	63	25	10	0.85		40	20 25

★ Has recessed groove in hub for chain clearance

Set Screw TYPE II

Finished Bore Sprockets Asian Standard Series

FBN40B

FBN40B

SPROCKETS

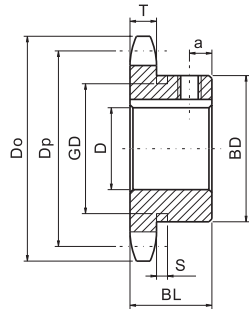
Tooth Width (T) 7.2mm

CHAIN

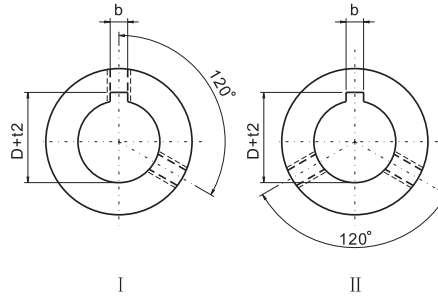
Pitch (P) 12.7mm

Internal width (W) 7.95mm

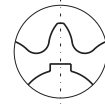
Roller Φ (Dr) 7.95mm



B TYPE



FBN TYPE



Keyway is located on center line of tooth.

Teeth	S	GD
9	5.2	23
10		27
11		31
12		35

Material: C45; Hardened Teeth

Do	Dp	BD	BL	a	Wt kg	Type	Teeth	ϕD^{H7}
42	37.13	★28	22	5	0.11	FBN 40B	9	10 12 14 15 18
46	41.10	★32	22	5	0.14		10	10 12 14 15 16 17 18
51	45.08	★36	22	5	0.19		11	10 12 14 15 16 17 18 19 20
55	49.07	★40	22	5	0.22		12	10 12 14 15 16 17 18 19 20 22
59	53.07	37	22	6	0.23		13	12 14 15 16 17 18 19 20 22 24 25
63	57.07	42	22	6	0.28		14	12 14 15 16 17 18 19 20 22 24 25 28
67	61.08	46	22	6	0.34		15	12 14 15 16 17 18 19 20 22 24 25 28 30
71	65.10	50	22	6	0.40		16	14 15 16 17 18 19 20 22 24 25 28 30 32
76	69.12	54	22	6	0.46		17	14 15 16 17 18 19 20 22 24 25 28 30 32 35
80	73.14	57	22	6	0.51		18	14 15 16 17 18 19 20 22 24 25 28 30 32 35 40
84	77.16	62	22	6	0.59		19	14 15 16 17 18 19 20 22 24 25 28 30 32 35 38 40
88	81.18	67	25	7	0.76		20	14 15 16 17 18 19 20 22 24 25 28 30 32 35 38 40 42 45
92	85.21	71	25	7	0.85		21	14 15 16 17 18 19 20 22 24 25 28 30 32 35 38 40 42 45
96	89.24	75	25	7	0.95		22	14 15 16 17 18 19 20 22 24 25 28 30 32 35 38 40 42 45
100	93.27	77	25	7	1.00		23	14 15 16 17 18 19 20 22 24 25 28 30 32 35 38 40 42 45
104	97.30	63	25	7	0.84		24	14 15 16 17 18 19 20 22 24 25 28 30 32 35 38 40 42
108	101.33	63	25	7	0.88		25	14 15 16 17 18 19 20 22 24 25 28 30 32 35 38 40 42
112	105.36	63	25	7	0.92		26	14 15 16 17 18 19 20 22 24 25 28 30 32 35 38 40 42
116	109.40	63	25	7	0.96		27	14 15 16 17 18 19 20 22 24 25 28 30 32 35 38 40 42
120	113.43	63	25	7	1.00		28	14 15 16 17 18 19 20 22 24 25 28 30 32 35 38 40 42
124	117.46	63	25	7	1.00		29	25
128	121.50	63	25	7	1.10		30	14 15 16 17 18 19 20 22 24 25 28 30 32 35 38 40 42
133	125.53	68	28	10	1.20		31	
137	129.57	68	28	10	1.30		32	20 22 24 25 28 30 32 35 40
141	133.61	68	28	10	1.30		33	
145	137.64	68	28	10	1.30		34	20 22 24 25 28 30 32 35 40
149	141.68	68	28	10	1.40		35	20 22 24 25 28 30 32 35 40
153	145.72	68	28	10	1.50		36	20 22 24 25 28 30 32 35 40
157	149.75	68	28	10	1.55		37	35
161	153.79	68	28	10	1.60		38	24 25 28 30 32 35 40
165	157.83	68	28	10	1.65	39		
169	161.87	68	28	10	1.70	40	25 28 30 32 35 40	

★ Has recessed groove in hub for chain clearance

Set Screw TYPE II

Finished Bore Sprockets Asian Standard Series

FBK40B

FBK40B

SPROCKETS

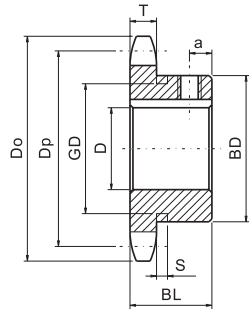
Tooth Width (T) 7.2mm

CHAIN

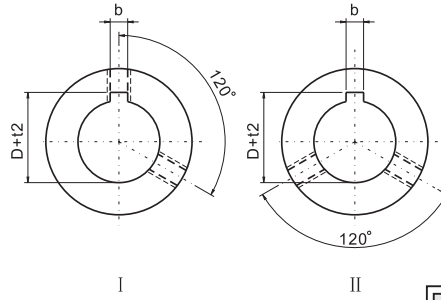
Pitch (P) 12.7mm

Internal width (W) 7.95mm

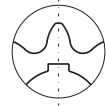
RollerΦ (Dr) 7.95mm



B TYPE



FBK TYPE



Keyway is located on center line of tooth.

Teeth	S	GD
9	5.2	23
10		27
11		31
12		35

Material:C45;Hardened Teeth

Do	Dp	BD	BL	a	Wt Kg	Type	Teeth	∅ D ^{H7}
42	37.13	★28	22	5	0.11	FBK 40B	9	12 15
46	41.10	★32	22	5	0.14		10	12 15 16
51	45.08	★36	22	5	0.19		11	12 15 17 20
55	49.07	★40	22	5	0.22		12	12 15 17 18 19 20 22
59	53.07	37	22	6	0.23		13	15 17 18 19 20 22 24 25 28
63	57.07	42	22	6	0.28		14	14 15 17 18 19 20 22 24 25 28 30
67	61.08	46	22	6	0.34		15	14 15 17 18 19 20 22 24 25 28 30
71	65.10	50	22	6	0.40		16	15 17 18 19 20 22 24 25 28 30
76	69.12	54	22	6	0.46		17	18 19 20 22 24 25 28 30 32
80	73.14	57	22	6	0.51		18	15 18 19 20 22 24 25 28 30 32 35
84	77.16	62	22	6	0.59		19	15 18 20 22 24 25 30
88	81.18	67	25	7	0.76		20	15 17 18 19 20 22 24 25 28 30 35 40
92	85.21	71	25	7	0.85		21	18 19 20 22 25 28 30 35 40
96	89.24	75	25	7	0.95		22	20 22 24 25 28 30 35
100	93.27	77	25	7	1.00		23	20 25 28 30 35
104	97.30	63	25	7	0.84		24	20 22 24 25 28 30 35
108	101.33	63	25	7	0.88		25	18 20 22 25 30 35
112	105.36	63	25	7	0.92		26	18 20 24 25 28 30 35
116	109.40	63	25	7	0.96		27	20 22 25 30 35
120	113.43	63	25	7	1.00		28	22 24 25 30 35 40
124	117.46	63	25	7	1.00		29	25
128	121.50	63	25	7	1.10		30	20 22 24 25 28 30 32 35 40
133	125.53	68	28	10	1.20		31	
137	129.57	68	28	10	1.30		32	25 30 35
141	133.61	68	28	10	1.30		33	
145	137.64	68	28	10	1.30		34	
149	141.68	68	28	10	1.40		35	25 30 35 40
153	145.72	68	28	10	1.50		36	20 25 30 35
157	149.75	68	28	10	1.55		37	35
161	153.79	68	28	10	1.60		38	24 28
165	157.83	68	28	10	1.65		39	
169	161.87	68	28	10	1.70		40	30 35 40

★ Has recessed groove in hub for chain clearance

Set Screw TYPEII

Finished Bore Sprockets Asian Standard Series

FBN50B

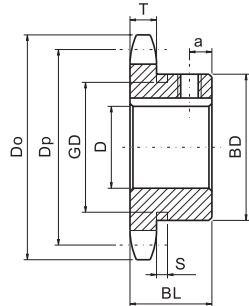
FBN50B

SPROCKETS

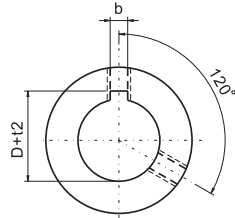
Tooth Width (T) 8.7mm

CHAIN

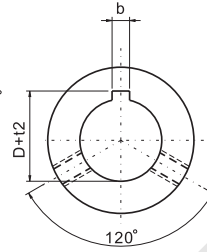
Pitch (P) 15.875mm
Internal width (W) 9.53mm
Roller Φ (Dr) 10.16mm



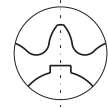
B TYPE



I



II



Keyway is located on center line of tooth.

Power Transmission Professional

Teeth	S	GD
9	6.4	29
10		34
11		39
12		44
13		49

Material: C45; Hardened Teeth

Do	Dp	BD	BL	a	Wt Kg	Type	Teeth	ϕD^{H7}
53	46.41	★34	25	5	0.20	FBN 50B	9	16 17 18 19
58	51.37	★40	25	5	0.27		10	15 16 17 18 19 20 22 24 25
64	56.35	★45.5	25	5	0.33		11	15 16 17 18 19 20 22 24 25
69	61.34	★50	25	5	0.41		12	15 16 17 18 19 20 22 24 25 28 30 32
74	66.34	★51	25	5	0.46		13	14 15 16 17 18 19 20 22 24 25 28 30 32
79	71.34	52	25	7	0.52		14	14 15 16 17 18 19 20 22 24 25 28 30 32 35
84	76.35	57	25	7	0.62		15	14 15 16 17 18 19 20 22 24 25 28 30 32 35 38
89	81.37	62	25	7	0.72		16	14 15 16 17 18 19 20 22 24 25 28 30 32 35 38 40
94	86.39	67	25	7	0.83		17	14 15 16 17 18 19 20 22 24 25 28 30 32 35 38 40 42 45
100	91.42	72	28	8	1.00		18	14 15 16 17 18 19 20 22 24 25 28 30 32 35 38 40 42 45
105	96.45	73	28	8	1.10		19	14 15 16 17 18 19 20 22 24 25 28 30 32 35 38 40 42 45
110	101.48	73	28	8	1.20		20	14 15 16 17 18 19 20 22 24 25 28 30 32 35 38 40 42 45 50
115	106.51	73	28	8	1.20		21	17 18 19 20 22 24 25 28 30 32 35 38 40 42 45
120	111.55	73	28	8	1.30		22	17 18 19 20 22 24 25 28 30 32 35 38 40 42 45
125	116.58	73	28	8	1.30		23	17 18 19 20 22 24 25 28 30 32 35 38 40 42 45
130	121.62	73	28	8	1.40		24	17 18 19 20 22 24 25 28 30 32 35 38 40 42 45
135	126.66	73	28	8	1.50		25	17 18 19 20 22 24 25 28 30 32 35 38 40 42 45
140	131.70	73	28	8	1.50		26	24 25 28 30 32 35 38 40 45
145	136.74	73	28	8	1.50		27	24 25 28 30 32 35 38 40 45
150	141.79	73	28	8	1.60		28	24 25 28 30 32 35 38 40 42 45
155	146.83	73	28	8	1.70		29	24 30
161	151.87	73	28	8	1.80		30	22 25 28 30 32 35 38 40 45
166	156.92	73	28	8	1.85		31	
171	161.96	73	28	8	1.90		32	25 28 30 32 35 38 40 45
176	167.01	73	28	8	2.00		33	35
181	172.05	73	28	8	2.10		34	25 28 30 32 35 38 40 45
186	177.10	73	28	8	2.20		35	25 28 30 32 35 38 40 45

★ Has recessed groove in hub for chain clearance

Set Screw TYPE II

Finished Bore Sprockets Asian Standard Series

FBK50B

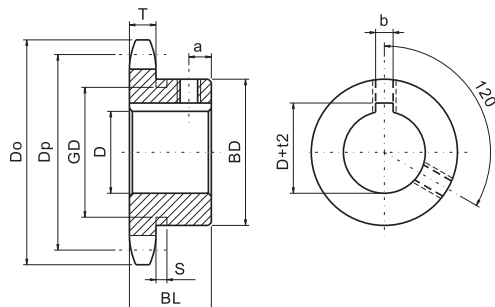
FBK50B

SPROCKETS

Tooth Width (T) 8.7mm

CHAIN

Pitch (P) 15.875mm
Internal width (W) 9.53mm
RollerΦ (Dr) 10.16mm



Keyway is located on center line of tooth.

B TYPE

Power Transmission Professional

Teeth	S	GD
9	6.4	29
10		34
11		39
12		44
13		49

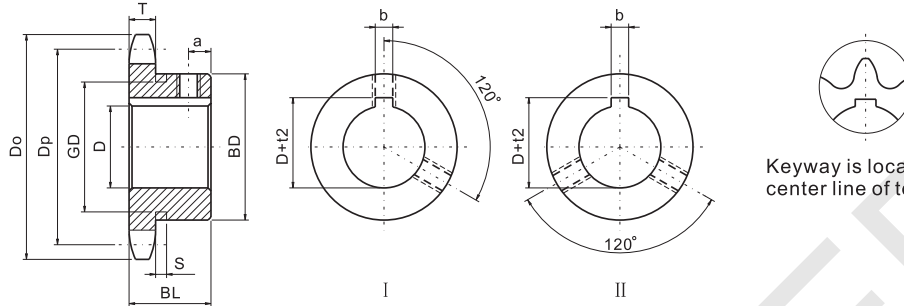
Material:C45;Hardened Teeth

Do	Dp	BD	BL	a	Wt Kg	Type	Teeth	∅ D ^{H7}
53	46.41	★34	25	5	0.20	FBK 50B	9	17
58	51.37	★40	25	5	0.27		10	15 20 25
64	56.35	★45.5	25	5	0.33		11	17 20 22 25
69	61.34	★50	25	5	0.41		12	17 18 19 20 22 24 25 28 30
74	66.34	★51	25	5	0.46		13	18 20 22 24 25 28 30 32
79	71.34	52	25	7	0.52		14	18 20 22 24 25 28 30 32 35
84	76.35	57	25	7	0.62		15	15 20 22 24 25 28 30 32 35 38
89	81.37	62	25	7	0.72		16	19 20 22 24 25 28 30 32 35 38 40
94	86.39	67	25	7	0.83		17	18 20 22 24 25 28 30 32 35 38 40
100	91.42	72	28	8	1.00		18	20 22 24 25 28 30 32 35 40
105	96.45	73	28	8	1.10		19	24 25 28 30 32 35 38 40
110	101.48	73	28	8	1.20		20	18 20 22 24 25 28 30 32 35 38 40 45 50
115	106.51	73	28	8	1.20		21	24 25 28 30 32 35 38 40
120	111.55	73	28	8	1.30		22	22 25 28 30 35 40 45
125	116.58	73	28	8	1.30		23	24 25 28 30 32 35 40
130	121.62	73	28	8	1.40		24	22 25 28 30 35 38 40
135	126.66	73	28	8	1.50		25	24 25 28 30 32 35 38 40 45
140	131.70	73	28	8	1.50		26	25 28 30 35 40
145	136.74	73	28	8	1.50		27	30 40
150	141.79	73	28	8	1.60		28	25 28 30 35 40 42
155	146.83	73	28	8	1.70		29	30
161	151.87	73	28	8	1.80		30	28 30 35 40 45
166	156.92	73	28	8	1.85		31	
171	161.96	73	28	8	1.90		32	25 30 35 40
176	167.01	73	28	8	2.00		33	35
181	172.05	73	28	8	2.10		34	30
186	177.10	73	28	8	2.20		35	25 30 35 40

★ Has recessed groove in hub for chain clearance

Finished Bore Sprockets Asian Standard Series

FBN60B



Keyway is located on center line of tooth.

B TYPE

FBN60B

SPROCKETS

Tooth Width (T) 11.7mm

CHAIN

Pitch (P) 19.05mm
Internal width (W) 12.07mm
RollerΦ (Dr) 11.91mm

Power Transmission Professional

Teeth	S	GD
9	8.0	32
10		37
11		45

Material:C45;Hardened Teeth

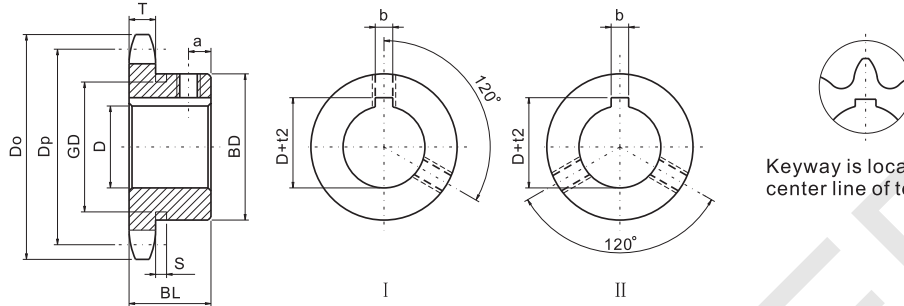
Do	Dp	BD	BL	a	Wt Kg	Type	Teeth	ø D ^{H7}
63	55.70	★43	32	6	0.40	FBN 60B	9	19 20 22 24
68	61.65	★49	32	6	0.49		10	19 20 22 24 25 28 30
76	67.62	★51	32	6	0.60		11	19 20 22 24 25 28 30 32
83	73.60	51	32	8	0.69		12	19 20 22 24 25 28 30 32 35
89	79.60	57	32	8	0.81		13	19 20 22 24 25 28 30 32 35 38 40
95	85.61	62	32	8	0.96		14	19 20 22 24 25 28 30 32 35 38 40
101	91.62	68	32	8	1.10		15	18 19 20 22 24 25 28 30 32 35 38 40 42 45
107	97.65	73	32	8	1.30		16	19 20 22 24 25 28 30 32 35 38 40 42 45 48 50
113	103.67	73	32	8	1.40		17	19 20 22 24 25 28 30 32 35 38 40 42 45 48 50
119	109.71	83	40	12	2.00		18	19 20 22 24 25 28 30 32 35 38 40 42 45 48 50 55
126	115.74	83	40	12	2.10		19	19 20 22 24 25 28 30 32 35 38 40 42 45 48 50 55
132	121.78	83	40	12	2.20		20	19 20 22 24 25 28 30 32 35 38 40 42 45 48 50 55
138	127.82	83	40	12	2.30		21	20 22 24 25 28 30 32 35 38 40 42 45 48 50 55
144	133.86	83	40	12	2.50		22	20 22 24 25 28 30 32 35 38 40 42 45 48 50 55
150	139.90	83	40	12	2.50		23	20 22 24 25 28 30 32 35 38 40 42 45 48 50 55
156	145.95	83	40	12	2.60		24	20 22 24 25 28 30 32 35 38 40 42 45 48 50 55
162	151.99	83	40	12	2.70		25	20 22 24 25 28 30 32 35 38 40 42 45 48 50 55
168	158.04	83	40	12	2.90		26	20 22 24 25 28 30 32 35 38 40 42 45 48 50 55
174	164.09	83	40	12	3.00		27	22 24 25 28 30 32 35 38 40 42 45 48 50
180	170.14	83	40	12	3.10		28	22 24 25 28 30 32 35 38 40 42 45 48 50
187	176.20	83	40	12	3.30	29		
193	182.25	83	40	12	3.40	30	22 24 25 28 30 32 35 38 40 42 45 48 50	

★ Has recessed groove in hub for chain clearance

Set Screw TYPE II

Finished Bore Sprockets Asian Standard Series

FBK60B



Keyway is located on center line of tooth.

B TYPE

FBK60B

SPROCKETS

Tooth Width (T) 11.7mm

CHAIN

Pitch (P) 19.05mm
Internal width (W) 12.07mm
RollerΦ (Dr) 11.91mm

Power Transmission Professional

Teeth	S	GD
9	8.0	32
10		37
11		45

Material:C45;Hardened Teeth

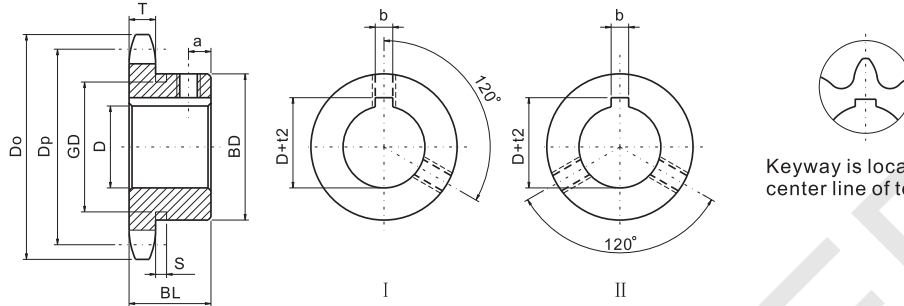
Do	Dp	BD	BL	a	Wt Kg	Type	Teeth	∅ D ^{H7}
63	55.70	★43	32	6	0.40	FBK 60B	9	
68	61.65	★49	32	6	0.49		10	25
76	67.62	★51	32	6	0.60		11	25 28 30
83	73.60	51	32	8	0.69		12	24 25 28 30 32 35
89	79.60	57	32	8	0.81		13	25 28 30 32 35 38 40
95	85.61	62	32	8	0.96		14	20 25 28 30 32 35 38 40
101	91.62	68	32	8	1.10		15	18 24 25 28 30 32 35 38 40 45
107	97.65	73	32	8	1.30		16	24 25 28 30 32 35 38 40 45 48 50
113	103.67	73	32	8	1.40		17	25 28 30 32 35 38 40 45 50
119	109.71	83	40	12	2.00		18	25 28 30 32 35 38 40 45 50
126	115.74	83	40	12	2.10		19	25 28 30 32 35 38 40 45 50
132	121.78	83	40	12	2.20		20	25 28 30 32 35 38 40 45 50 [55]
138	127.82	83	40	12	2.30		21	25 28 30 32 35 38 40 45 50
144	133.86	83	40	12	2.50		22	28 30 35 40 45 50 [55]
150	139.90	83	40	12	2.50		23	28 30 35 40 45 55
156	145.95	83	40	12	2.60		24	25 30 35 38 40 45 50 [55]
162	151.99	83	40	12	2.70		25	28 30 35 40 45 50
168	158.04	83	40	12	2.90		26	30 35 40 45 50 [55]
174	164.09	83	40	12	3.00		27	30 35 40 45
180	170.14	83	40	12	3.10		28	30 35 40 45 50
187	176.20	83	40	12	3.30		29	
193	182.25	83	40	12	3.40		30	35 40 45 50

★ Has recessed groove in hub for chain clearance

Set Screw TYPE II

Finished Bore Sprockets Asian Standard Series

FBN80B



Keyway is located on center line of tooth.

B TYPE

FBN80B

SPROCKETS

Tooth Width (T) 14.6mm

CHAIN

Pitch (P) 25.4mm
Internal width (W) 15.88mm
Roller Φ (Dr) 15.88mm

Teeth	S	GD
9	10.4	44

Material: C45; Hardened Teeth

Power Transmission Professional

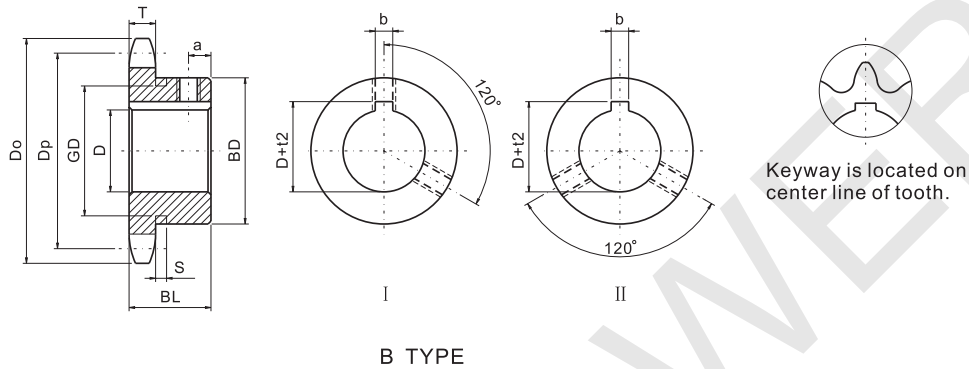
Do	Dp	BD	BL	a	Wt Kg	Type	Teeth	ϕD^{H7}
85	74.27	★58	40	7	0.87	FBN 80B	9	25 28 30 32 35
93	82.19	52	40	12	1.02		10	25 28 30 32
102	90.16	60	40	12	1.25		11	25 28 30 32 35 38
110	98.14	67	40	12	1.60		12	25 28 30 32 35 38 40 42 45
118	106.14	77	40	12	1.90		13	25 28 30 32 35 38 40 42 45 48 50
127	114.15	77	40	12	2.15		14	25 28 30 32 35 38 40 42 45 48 50
135	122.17	93	40	12	2.30		15	25 28 30 32 35 38 40 42 45 48 50 55 60
143	130.20	93	40	12	2.50		16	24 25 28 30 32 35 38 40 42 45 48 50 55 60
151	138.23	93	40	12	2.95		17	25 28 30 32 35 38 40 42 45 48 50 55 60
159	146.27	93	40	12	3.15		18	25 28 30 32 35 38 40 42 45 48 50 55 60
167	154.32	93	40	12	3.40		19	25 28 30 32 35 38 40 42 45 48 50 55 60
176	162.37	93	40	12	3.60		20	25 28 30 32 35 38 40 42 45 48 50 55 60
184	170.42	93	40	12	3.85		21	25 28 30 32 35 38 40 42 45 48 50 55 60

★ Has recessed groove in hub for chain clearance

Set Screw TYPE II

Finished Bore Sprockets
Asian Standard Series

FBK80B



FBK80B

SPROCKETS

Tooth Width (T) 14.6mm

CHAIN

Pitch (P) 25.4mm
Internal width (W) 15.88mm
RollerΦ (Dr) 15.88mm

Teeth	S	GD
9	10.4	44

Material: C45; Hardened Teeth

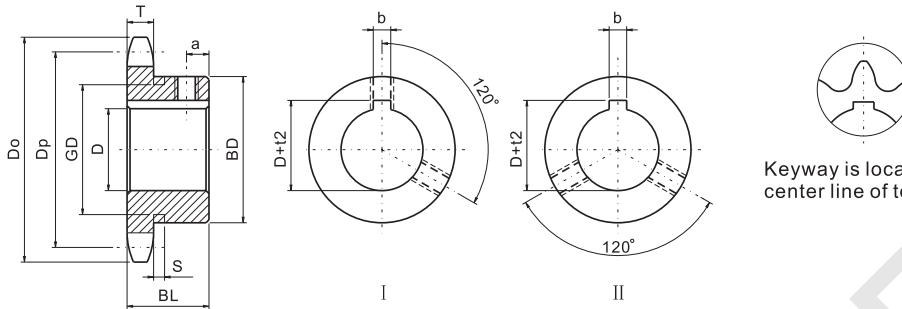
Power Transmission Professional

Do	Dp	BD	BL	a	Wt Kg	Type	Teeth	ø D ^{H7}								
85	74.27	★58	40	7	0.87	FBK 80B	9									
93	82.19	52	40	12	1.02		10									
102	90.16	60	40	12	1.25		11	35	38							
110	98.14	67	40	12	1.60		12	32	35	38	40	45				
118	106.14	77	40	12	1.90		13	30	32	35	38	40	45	50		
127	114.15	77	40	12	2.15		14	35	38	40	45	50				
135	122.17	93	40	12	2.30		15	32	35	38	40	45	48	50	55	60
143	130.20	93	40	12	2.50		16	32	38	40	45	50	60			
151	138.23	93	40	12	2.95		17	38	40	45	50	55	60			
159	146.27	93	40	12	3.15		18	25	32	38	40	45	50	60		
167	154.32	93	40	12	3.40		19	35	40	45	50	55	60			
176	162.37	93	40	12	3.60		20	40	45	50	55	60				
184	170.42	93	40	12	3.85		21	40	45	50	55					

★ Has recessed groove in hub for chain clearance

Finished Bore Sprockets
Asian Standard Series

FBN100B
FBN120B



Keyway is located on center line of tooth.

FBN100B

SPROCKETS

Tooth Width (T) 17.6mm

CHAIN

Pitch (P) 31.75mm
Internal width (W) 19.05mm
Roller Φ (Dr) 19.05mm

B TYPE

Material:C45;Hardened Teeth

Do	Dp	BD	BL	a	Wt Kg	Type	Teeth	ϕD^{H7}
117	102.75	65	50	16	1.90	FBN 100B	10	25 28 30 32 35 38 40 42
127	112.70	75	50	16	2.30		11	25 28 30 32 35 38 40 42 45 48 50
138	122.67	86	50	16	2.90		12	25 28 30 32 35 38 40 42 45 48 50 55
148	132.67	94	50	16	3.10		13	25 28 30 32 35 38 40 42 45 48 50 55
158	142.68	98	50	16	3.60		14	25 28 30 32 35 38 40 42 45 48 50 55 60
168	152.71	98	50	16	4.20		15	32 35 38 40 42 45 48 50 55 60
179	162.74	98	50	16	4.60		16	38 45 50 55 60
189	172.79	107	50	16	5.30		17	38 45 50 60
199	182.84	107	50	16	5.70		18	38 45 50 60
209	192.90	107	50	16	6.10		19	38 45 50 60
220	202.96	107	50	16	6.50		20	38 45 50 60
230	213.03	107	50	16	7.00		21	45 50 60

FBN120B

SPROCKETS

Tooth Width (T) 23.5mm

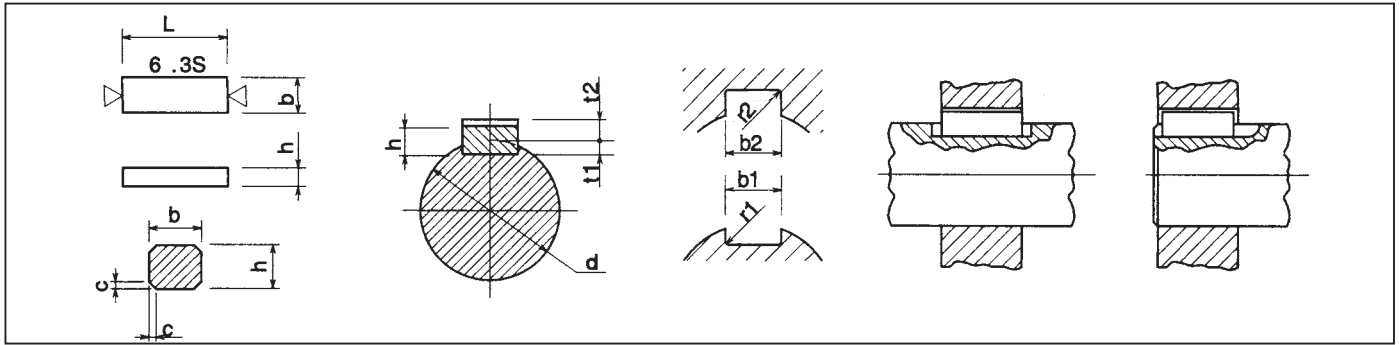
CHAIN

Pitch (P) 38.10mm
Internal width (W) 25.40mm
Roller Φ (Dr) 22.23mm

Material:C45;Hardened Teeth

Do	Dp	BD	BL	a	Wt Kg	Type	Teeth	ϕD^{H7}
140	123.29	78	56	16	3.20	FBN 120B	10	
153	135.24	91	56	16	4.00		11	
165	147.21	98	56	16	4.80		12	
177	159.20	98	56	16	5.30		13	45 48 50 55 60
190	171.22	107	56	16	6.30		14	45 48 50 55 60
202	183.25	117	63	16	7.80		15	45 48 50 55 60
214	195.29	117	63	16	8.40		16	50 60
227	207.35	117	63	16	9.10		17	
239	219.41	117	63	16	9.90		18	50 60
251	231.48	117	63	16	10.70		19	60
263	243.55	127	63	16	12.10		20	50 60
276	255.63	127	63	16	13.00		21	50 60

Finished Bore Sprockets Asian Standard Series



New standard (JISB1301-1976)

d	b × h	Key					Keyway								Set screw	
		b	Tolerance h9	h	Tolerance	C	L	b2 b1	b1 Tolerance P9	b2 Tolerance N9	B2 Tolerance Js9	r1 r2	t1	t2		t1 t2
6 to 8	2×2	2	0	2	0	0.16	6 ~ 20	2	-0.006	-0.004	±0.0125	0.08	1.2	1.0	+0.1 0	1-M4
8 to 10	3×3	3	-0.025	3	-0.025	0.25	6 ~ 36	3	-0.031	-0.029	±0.0150	0.16	1.8	1.4		1-M5
10 to 12	4×4	4	0	4	0		8 ~ 45	4	-0.012	0			±0.0180	0.25		
12 to 17	5×5	5	-0.030	5	-0.030	10 ~ 56	5	-0.042	-0.030	±0.0215	0.40	3.0				2.3
17 to 22	6×6	6		6		14 ~ 70	6					±0.0260	0.60	3.5	2.8	2-M10
22 to 30	8×7	8	0	7	0	0.40	18 ~ 90	8	-0.015	0	±0.0260			0.70	4.0	
30 to 38	10×8	10	-0.036	8	0	0.60	22 ~ 110	10	-0.051	-0.036		±0.0310	1.00		5.0	3.3
38 to 44	12×8	12		8	-0.090		0.80	28 ~ 140	12					±0.0310	1.00	5.0
44 to 50	14×9	14	0	9	0	1.00		36 ~ 160	14	-0.018	0	±0.0310	1.00			5.5
50 to 58	16×10	16	-0.043	10	0		1.20	45 ~ 180	16	-0.061	-0.043			±0.0310	1.00	6.0
58 to 65	18×11	18		11		1.20		50 ~ 200	18			±0.0310	1.00			7.0
65 to 75	20×12	20	0	12	0		1.20	56 ~ 220	20					±0.0310	1.00	7.5
75 to 85	22×14	22	-0.052	14	-0.110	1.20		63 ~ 250	22	-0.022	0	±0.0310	1.00			9.0
85 to 95	25×14	25	-0.052	14	-0.110		1.20	70 ~ 280	25	-0.074	-0.052			±0.0310	1.00	9.0
95 to 110	28×16	28		16		1.20		80 ~ 320	28			±0.0310	1.00			10.0
110 to 130	32×18	32		18			1.20	90 ~ 360	32					±0.0310	1.00	11.0
130 to 150	36×20	36	0	20	0	1.20		-	36	-0.026	0	±0.0310	1.00			12.0
150 to 170	40×22	40	-0.062	22	0		1.20	-	40	-0.088	-0.062			±0.0310	1.00	13.0
170 to 200	45×25	45		25	-0.130	1.20		-	45			±0.0310	1.00			15.0
200 to 230	50×28	50		28			1.20	-	50					±0.0310	1.00	17.0

Old standard (JISB1301-1959)

d	b × h	Key				C	L	Keyway								Set screw	
		TYPE 1		TYPE 2				b2 b1	TYPE 1		TYPE 2		r1 r2	t1	t2		t1 t2
		b	h	b	h				b1	b2	b1	b2					
10 to 13	4×4	+0.024	0	0	0	0.5	10 ~ 45	4	+0.018	+0.022	+0.030	+0.050	0.4	2.5	1.5	Type 1	1-M5
13 to 20	5×5	+0.012	-0.030	-0.018	-0.048		10 ~ 56	5	0	+0.010	0	+0.020		3	2		1-M6
20 to 30	7×7	+0.030		0		0.8	14 ~ 90	7	+0.022	+0.028	+0.036	+0.061	0.6	4	3	+0.05 0	2-M8
30 to 40	10×8	+0.015	0	-0.022	0		18 ~ 112	10	0	+0.013	0	+0.025		4.5	3.5		2-M10
40 to 50	12×8	+0.036	-0.027	0	-0.058	1.2	22 ~ 140	12	+0.027	+0.034	+0.043	+0.075	1.0	4.5	3.5	+0.100 0	2-M12
50 to 60	15×10	+0.018		-0.027			28 ~ 160	15	0	+0.016	0	+0.032		5	5		2-M16
60 to 70	18×12		0		0	2.0	36 ~ 200	18					1.6	6	6	+0.075 0	2-M20
70 to 80	20×13	+0.043	-0.043	0	-0.070		45 ~ 224	20	+0.033	+0.041	+0.052	+0.092		7	6		2-M24
80 to 95	24×16	+0.022		-0.033		2.0	56 ~ 250	24	0	+0.020	0	+0.040	8	8	+0.150 0	2-M24	
95 to 110	28×18						63 ~ 315	28					9	9			
110 to 125	32×20					2.0	80 ~ 355	32					1.6	10	10	+0.075 0	2-M24
125 to 140	35×22	+0.051	0	0	0		100 ~ 400	35						11	11		
140 to 160	38×24	+0.026	-0.052	-0.039	-0.084	2.0	112 ~ 400	38	+0.039	+0.050	+0.062	+0.112	1.6	12	12	+0.075 0	2-M24
160 to 180	42×26						140 ~ 450	42	0	+0.025	0	+0.050		13	13		
180 to 200	45×28					2.0	160 ~ 450	45					1.6	14	14	+0.150 0	2-M24
200 to 224	50×31.5	+0.062	-0.062	0	-0.100		180 ~ 450	50						16	15.5		
224 to 250	56×35.5	+0.032		-0.046		200 ~ 450	56	+0.046	+0.060	+0.074	+0.134	18	17.5	2-M24			