

Finished Bore Sprockets European Standard Series

Finished Bore sprockets

For Roller Chains **DIN8187-ISO/R606**

All sprockets can finished with induction hardened teeth.

This treatment gives a longer lasting life to sprockets.

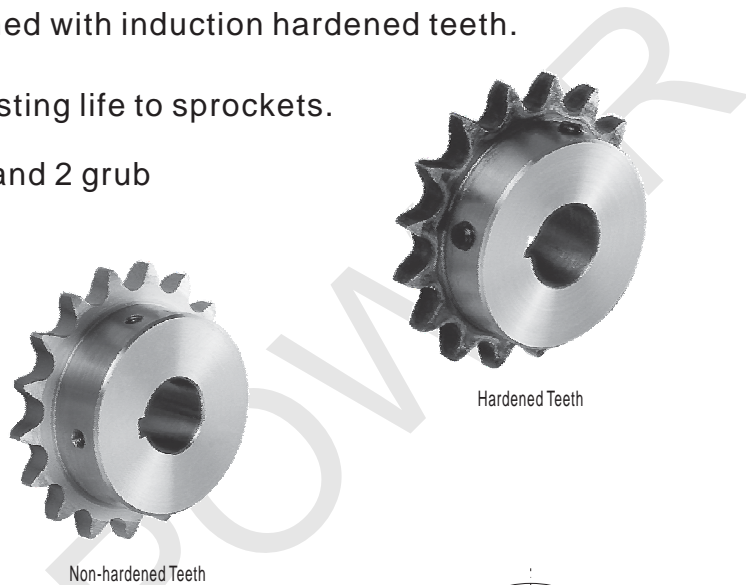
And with finished bore, keyway and 2 grub

Screws, this eliminates further

modification by customer

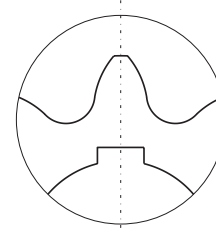
and can be fitted

immediately.

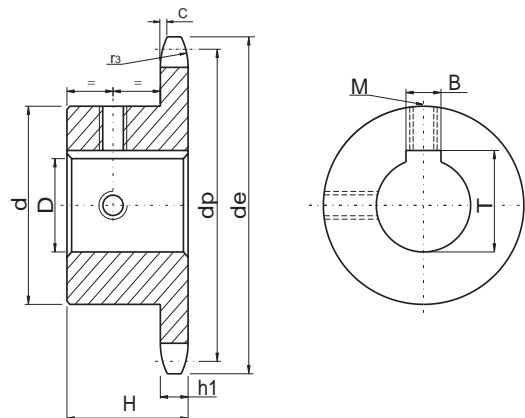


Bore-Keyway-Screws

D(H7)	B(H9)	T	M
10	4	D + 1.8 (+0.1 / 0)	M3
11	4	D + 1.8 (+0.1 / 0)	M3
12	4	D + 1.8 (+0.1 / 0)	M3
14	5	D + 2.3 (+0.1 / 0)	M4
16	5	D + 2.3 (+0.1 / 0)	M4
18	6	D + 2.8 (+0.1 / 0)	M5
19	6	D + 2.8 (+0.1 / 0)	M5
20	6	D + 2.8 (+0.1 / 0)	M5
22	6	D + 2.8 (+0.1 / 0)	M5
24	8	D + 3.3 (+0.2 / 0)	M6
25	8	D + 3.3 (+0.2 / 0)	M6
28	8	D + 3.3 (+0.2 / 0)	M6
30	8	D + 3.3 (+0.2 / 0)	M6
32	10	D + 3.3 (+0.2 / 0)	M8
35	10	D + 3.3 (+0.2 / 0)	M8
38	10	D + 3.3 (+0.2 / 0)	M8
40	12	D + 3.3 (+0.2 / 0)	M10
42	12	D + 3.3 (+0.2 / 0)	M10
45	14	D + 3.8 (+0.2 / 0)	M12
48	14	D + 3.8 (+0.2 / 0)	M12
50	14	D + 3.8 (+0.2 / 0)	M12
60	18	D + 4.4 (+0.2 / 0)	M12
65	18	D + 4.4 (+0.2 / 0)	M12
70	20	D + 4.9 (+0.2 / 0)	M12



Keyway is located on center line of tooth.



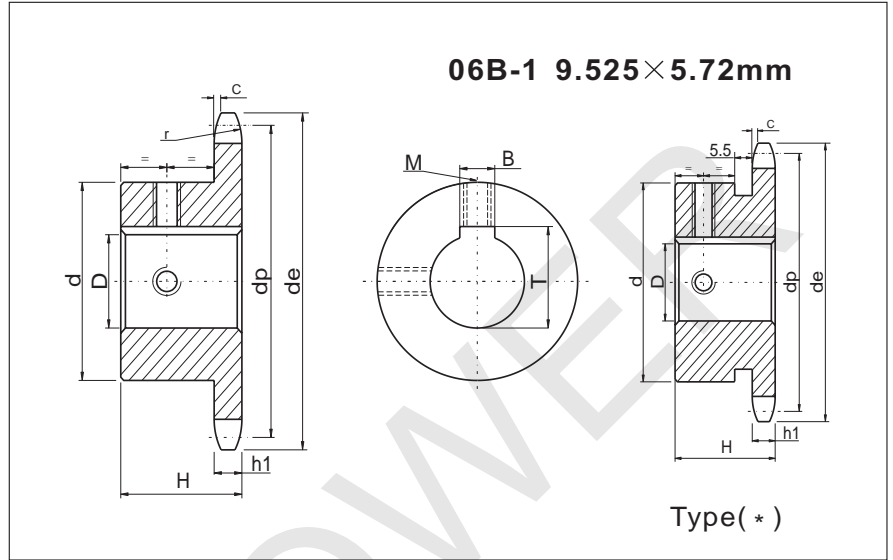
Finished Bore Sprockets
European Standard Series

06B-1

3/8" × 7/32"

3/8" × 7/32"

CHAIN:	ISO
	mm
Pitch	9.525
Internal width	5.72
Roller ϕ	6.35
 SPROCKETS	
Tooth radius r	10
Radius width C	1
Tooth width h_1	5.3



Material: C45

z	de	dp	D	H	d
10	34	30.80	10	22	24
			11		26
			12		29
			14		29
11	37	33.8	10	25	24
			12		26
			14		29*
			16		31*
12	40	36.8	10	25	25
			12		26
			14		29
			16		31*
13	43	39.8	10	25	28
			12		29
			14		31
			16		35*
14	46.3	42.8	12	25	31
			14		
			16		
			18		35
			19		
15	49.3	45.81	12	25	34
			14		
			16		
			18		35
			19		
			20		
			22		
16	52.3	48.82	12	28	37
			14		
			16		
			18		
			19		

z	de	dp	D	H	d		
16	52.3	48.82	22	16	37		
			24		42		
			25				
			12		28	40	
			14				
16							
17	55.3	51.83	18	28	40		
			19				
			20				
			22				
			24				
18	58.3	54.85	12	28	43		
			14				
			16				
			18				
			19				
19	61.3	57.87	20	28	45		
			22				
			24				
			25				
			12			28	46
			14				
			16				
			18				
			19				
			20			64.3	60.89
14							
16							
18							
20							

z	de	dp	D	H	d
20	64.3	60.89	24	28	46
			25		
			16		
18					
19					
21	68	63.91	20	28	48
			22		
			24		
			25		
			16		
18					
20					
22					
22	71	66.93	16	28	50
			18		
			20		
			24		
			25		
23	73.5	69.95	16	28	52
			18		
			19		
			20		
			22		
24	77	72.97	12	28	54
			14		
			16		
			18		
			19		
			20		
			22		
25	80	76	16	28	57
			18		
			19		
			20		
			24		

Finished Bore Sprockets
European Standard Series

08B-1

1/2" × 5/16"

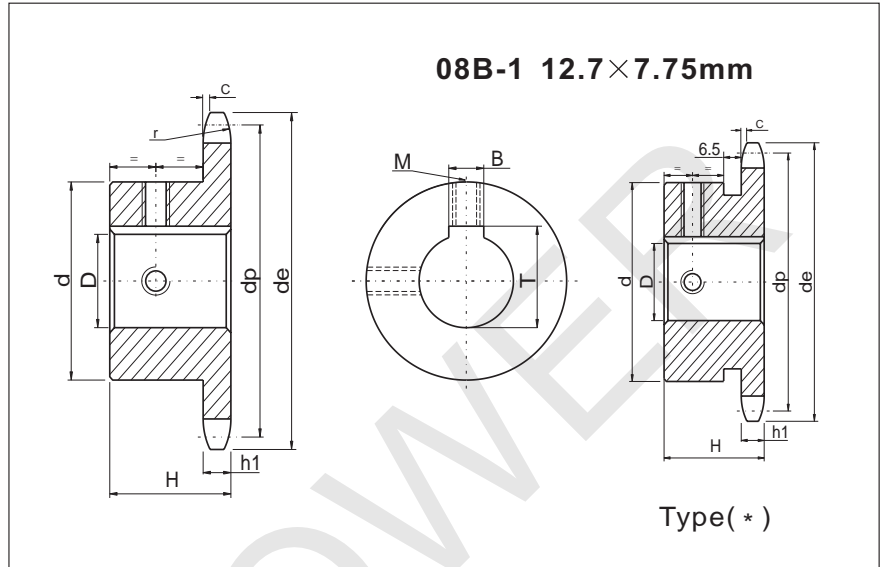
1/2" × 5/16"

CHAIN:

Pitch ISO mm 12.7
Internal width 7.75
Roller Φ 8.51

SPROCKETS

Tooth radius r 13
Radius width C 1.3
Tooth width h_1 7.2



Material: C45

Z	d _e	d _p	D	H	d		
10	45.2	41.1	12	25	26		
			14		29		
			16		31		
			12		25	29	
14	31						
16	34						
18	35						
11	48.7	45.07	12	28	33		
			14		35		
			16		36		
			18		38		
12	53	49.07	12	28	37		
			14		42		
			16		45*		
			18		28	41	
19	42						
20	45*						
22	28	45					
24		28	45				
25			28	45			
28				28	45		
13	57.4				53.06	12	28
		14				28	
		16	28				
		18		28			
14	61.8	57.07			12		28
					14	28	
			16		28		
			18	28			
15	65.5	61.09	12				28
			14			28	
			16		28		
			12	28			
16	69.5	65.1	12				28
			14			28	
			16		28		
			18	28			
17	73.6	69.11	12				28
			14			28	
			16		28		
			18	28			
18	77.8	73.14	12				28
			14			28	
			16		28		
			18	28			
19	81.7	77.16	12				28
			14			28	
			16		28		
			18	28			
20	85.8	81.19	12				28
			14			28	
			16		28		
			18	28			
21	89.7	85.22	12				28
			14			28	
			16		28		
			18	28			
22	93.8	89.24	12				28
			14			28	
			16		28		
			18	28			
23	98.2	93.27	12				28
			14			28	
			16		28		
			18	28			
24	101.8	97.29	12				28
			14			28	
			16		28		
			18	28			
25	105.8	101.33	12				28
			14			28	
			16		28		
			18	28			

Finished Bore Sprockets
European Standard Series

10B-1

5/8" × 3/8"

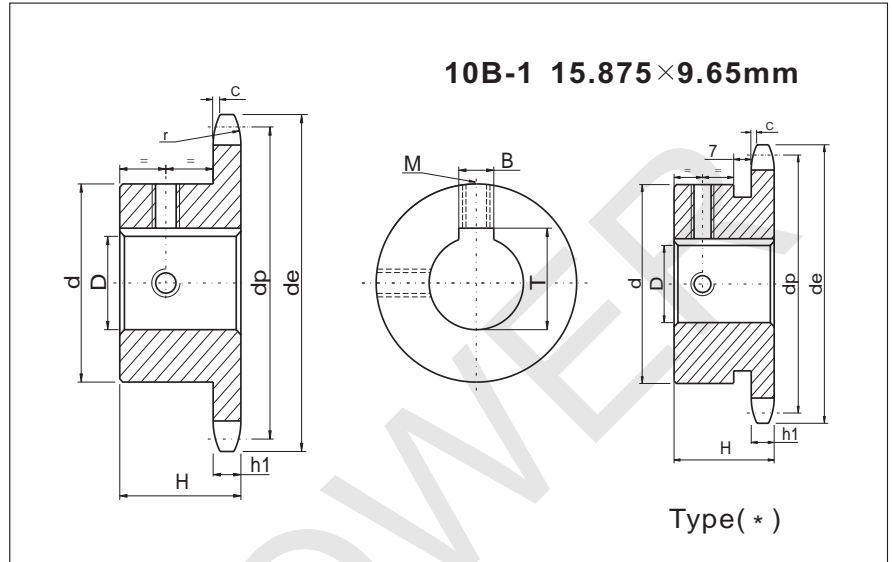
5/8" × 3/8"

CHAIN:

Pitch ISO mm 15.875
Internal width 9.65
Roller ϕ 10.16

SPROCKETS

Tooth radius r 16
Radius width C 1.6
Tooth width h_1 9.1



Material: C45

Z	d _e	d _p	D	H	d
10	57.5	51.37	16	25	35
			19		
			20		
			24		
			42*		
11	63	56.34	16	30	37
			18		
			19		
			20		
			24		
			25		
			28		
12	68	61.34	16	30	42
			18		
			19		
			20		
			22		
			24		
			25		
			28		
			30		
			32		
13	73	66.32	16	30	47
			18		
			19		
			20		
			22		
			24		
			25		
			28		
			30		
			32		
14	78	71.34	16	30	52
			18		
			19		
			20		
			22		
			24		
			25		
15	83	76.36	19	30	57
			20		
			22		
			24		

Z	d _e	d _p	D	H	d
15	83	76.36	20	30	57
			22		
			24		
			25		
			28		
			30		
			32		
			35		
			19		
			20		
16	88	81.37	20	30	60
			22		
			24		
			25		
			28		
			30		
			32		
			35		
			19		
			20		
17	93	86.39	20	30	60
			22		
			24		
			25		
			28		
			30		
			32		
			35		
			38		
			19		
18	98.3	91.42	19	30	70
			20		
			22		
			24		
			25		
			28		
			30		
			32		
			35		
			38		
19	103.3	96.45	19	30	70
			20		
			22		
			24		

Z	d _e	d _p	D	H	d
19	103.3	96.45	22	30	70
			24		
			25		
			28		
			30		
			32		
			35		
			38		
			40		
			42		
20	108.4	101.49	19	30	75
			20		
			22		
			24		
			25		
			28		
			30		
			32		
			35		
			38		
21	113.4	106.52	19	30	75
			20		
			22		
			24		
			25		
			28		
			30		
			32		
			35		
			38		
22	118	111.55	19	30	80
			20		
			22		
			24		
			25		
			28		
			30		
			32		
			35		
			38		

Z	d _e	d _p	D	H	d
22	118	111.55	35	30	80
			38		
			40		
			42		
			19		
			20		
			22		
23	123.4	116.58	30	30	80
			32		
			35		
			38		
			40		
			42		
			19		
			20		
			22		
			24		
24	128.3	121.62	28	30	80
			30		
			32		
			35		
			38		
			40		
			42		
			19		
			20		
			22		
25	134	126.66	24	30	80
			25		
			28		
			30		
			32		
			35		
			38		
			40		
			42		

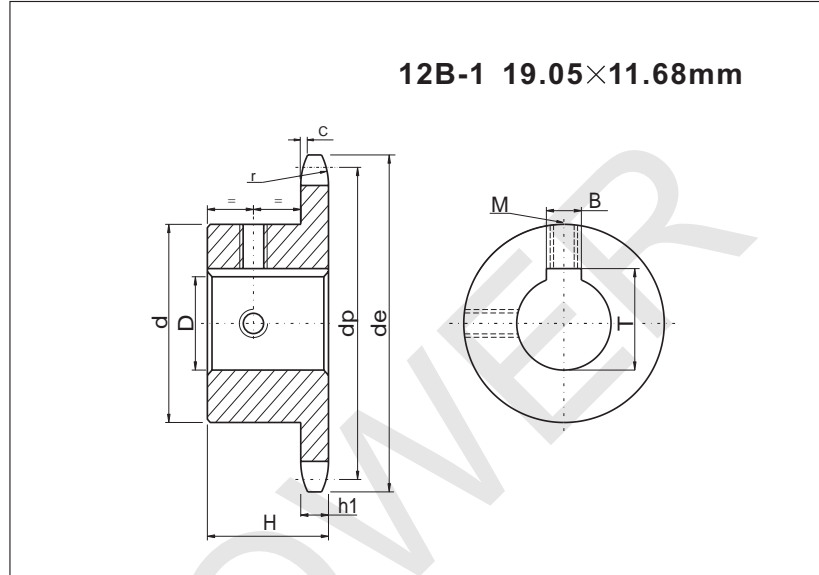
Finished Bore Sprockets
European Standard Series

12B-1

3/4" × 7/16"

3/4" × 7/16"

CHAIN:	ISO
	mm
Pitch	19.05
Internal width	11.68
Roller ϕ	12.07
SPROCKETS	
Tooth radius r	19
Radius width C	2
Tooth width h_1	11.1



Material: C45

Z	d _e	d _p	D	H	d
10	69	61.64	19	30	42
			20		
			24		
			25		
			28		
			30		
			32		
11	75	67.61	19	35	48
			20		
			24		
			25		
			28		
			30		
			32		
12	81.5	73.6	19	35	52
			20		
			22		
			24		
			25		
			28		
			30		
13	87.5	79.59	19	35	58
			20		
			22		
			24		
			25		
			28		
			30		
14	93.6	85.61	19	35	64
			20		
			22		
			24		
			25		
			28		
			30		

Z	d _e	d _p	D	H	d
14	93.6	85.61	32	35	64
			35		
			38		
			40		
			19		
			20		
			22		
15	99.8	91.63	24	35	70
			25		
			28		
			30		
			32		
			35		
			38		
16	105.5	97.65	28	35	75
			30		
			32		
			35		
			38		
			40		
			19		
17	111.5	103.67	25	35	80
			28		
			30		
			32		
			35		
			38		
			40		
18	118	109.71	25	35	80
			28		
			30		
			32		
			35		
			38		
			42		

Z	d _e	d _p	D	H	d
18	118	109.71	40	35	80
			42		
			25		
			28		
			30		
			32		
			35		
19	124.2	115.75	38	35	80
			40		
			42		
			45		
			48		
			50		
			25		
20	129.7	121.78	35	35	80
			38		
			40		
			42		
			45		
			48		
			50		
21	136	127.82	25	35	90
			28		
			30		
			32		
			35		
			38		
			40		
22	141.8	133.86	25	40	90
			28		
			30		
			32		
			35		
			42		
			50		

Z	d _e	d _p	D	H	d
22	141.8	133.86	38	40	90
			40		
			42		
			45		
			48		
			50		
			25		
23	149	139.9	28	40	90
			30		
			32		
			35		
			38		
			40		
			42		
24	153.9	145.94	25	40	90
			28		
			30		
			32		
			35		
			38		
			40		
25	160	152	25	40	90
			28		
			30		
			32		
			35		
			38		
			40		

Finished Bore Sprockets
European Standard Series

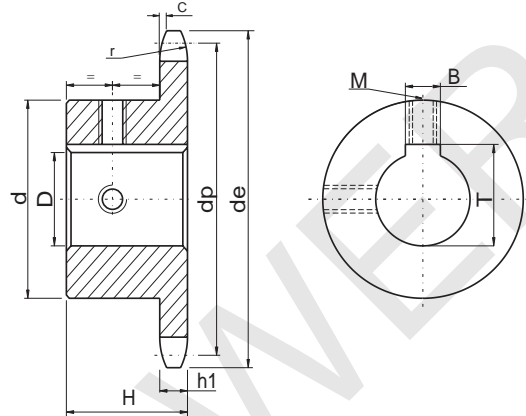
16B-1

1" × 17.02mm

1" × 17.02

CHAIN:	ISO
	mm
Pitch	25.4
Internal width	17.02
Roller ϕ	15.88
 SPROCKETS	
Tooth radius r	26
Radius width C	2.5
Tooth width h_1	16.2

16B-1 25.4×17.02mm



Material: C45

Z	d _e	d _p	D	H	d
11	99.5	90.14	25	40	61
			28		
			30		
			32		
			35		
			38		
			40		
12	109	98.14	42	40	69
			45		
			48		
			50		
			55		
			60		
			65		
13	117	106.12	67	40	78
			70		
			75		
			80		
			85		
			90		
			95		
14	125	114.15	100	40	84
			105		
			110		
			115		
			120		
			125		
			130		
15	133	122.17	135	40	92
			140		
			145		

Z	d _e	d _p	D	H	d
15	133	122.17	30	40	92
			32		
			35		
			38		
			40		
			42		
			45		
			48		
			50		
			55		
16	141	130.2	60	45	100
			65		
			70		
			75		
			80		
			85		
			90		
			95		
			100		
			105		
17	149	138.22	110	45	100
			115		
			120		
			125		
			130		
			135		
			140		
			145		
			150		
			155		
18	157	146.28	160	45	100
			165		
			170		
			175		
			180		
			185		
			190		
			195		
			200		
			205		

Z	d _e	d _p	D	H	d
18	157	146.28	48	45	100
			50		
			55		
			60		
			65		
			70		
			75		
19	165.2	154.33	80	45	100
			85		
			90		
			95		
			100		
			105		
			110		
20	173.2	162.38	120	45	100
			125		
			130		
			135		
			140		
			145		
			150		
21	181.2	170.43	150	45	110
			155		
			160		
			165		
			170		
			175		
			180		
22	189.3	178.48	180	45	110
			185		
			190		
			195		
			200		
			205		
			210		

Z	d _e	d _p	D	H	d
22	189.3	178.48	38	50	110
			40		
			42		
			45		
			48		
			50		
			55		
23	197.5	186.53	25	50	110
			28		
			30		
			32		
			35		
			38		
			40		
24	205.5	194.59	42	50	110
			45		
			48		
			50		
			55		
			60		
			65		
25	213.5	202.66	70	50	110
			75		
			80		
			85		
			90		
			95		
			100		

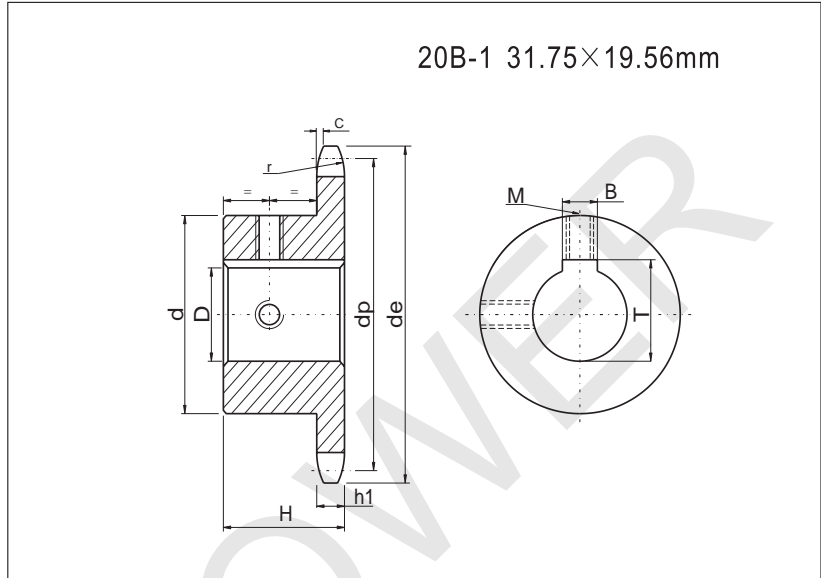
Finished Bore Sprockets
European Standard Series

20B-1

1" 1/4 × 3/4"

1" 1/4 × 3/4"

CHAIN:	ISO
	mm
Pitch	31.75
Internal width	19.56
Roller Φ	19.05
SPROCKETS	
Tooth radius r	32
Radius width C	3.5
Tooth width h_1	18.5



Material: C45

Z	d _e	d _p	D	H	d
09	108	92.84	25	40	63
			30		
			32		
			35		
			38		
10	117.9	102.74	25	40	70
			30		
			32		
			35		
			38		
11	127.8	112.68	25	45	77
			28		
			30		
			32		
			35		
			38		
			40		
			42		
			45		
			50		
60	93				
12	137.8	122.68	25	45	88
			28		
			30		
			32		
			35		
			38		
			40		
			42		
			45		
			50		
13	147.8	132.65	25	45	98
			28		
			31		

Z	d _e	d _p	D	H	d
13	147.8	132.65	32	45	98
			35		
			38		
			40		
			42		
			45		
			48		
			50		
14	157.8	142.68	32	45	108
			35		
			38		
			40		
			42		
			45		
			48		
			50		
			60		
			15		
35					
38					
40					
42					
45					
48					
50					
60					
16	177.9	162.75		38	50
			40		
			42		
			45		
			48		
			50		
			50		
			60		
			65		
			70		

Z	d _e	d _p	D	H	d
17	187.9	172.78	38	50	120
			40		
			42		
			45		
			48		
			50		
			60		
			70		
18	198	182.85	38	50	120
			40		
			42		
			45		
			48		
			50		
			60		
			65		
			70		
			19		
40					
42					
45					
48					
50					
60					
70					
20	218.1	202.98	38	50	120
			40		
			42		
			45		
			48		
			50		
			60		
			70		